

GALILEI

Be cool, Be alive.

Medical Freezers

Ideal for sample storage and quality control

A full lineup from personal to large-capacity models

MediFridge

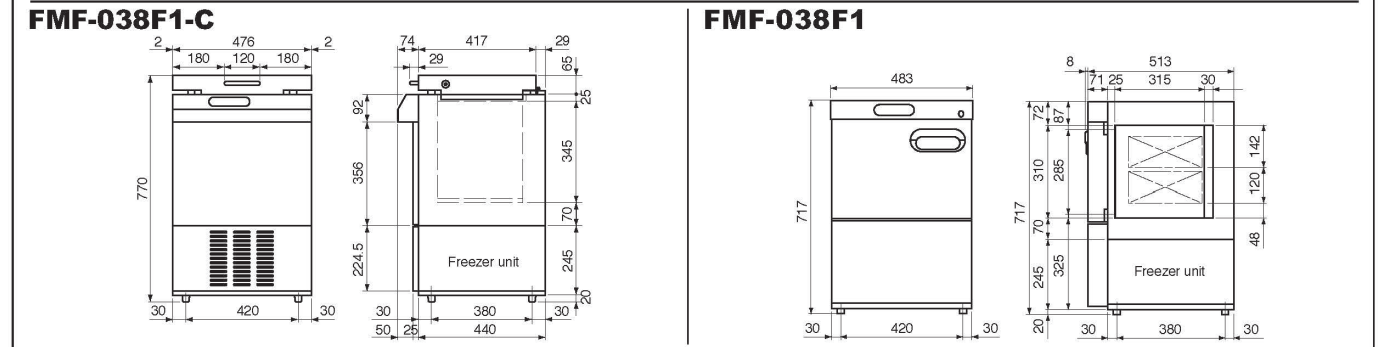
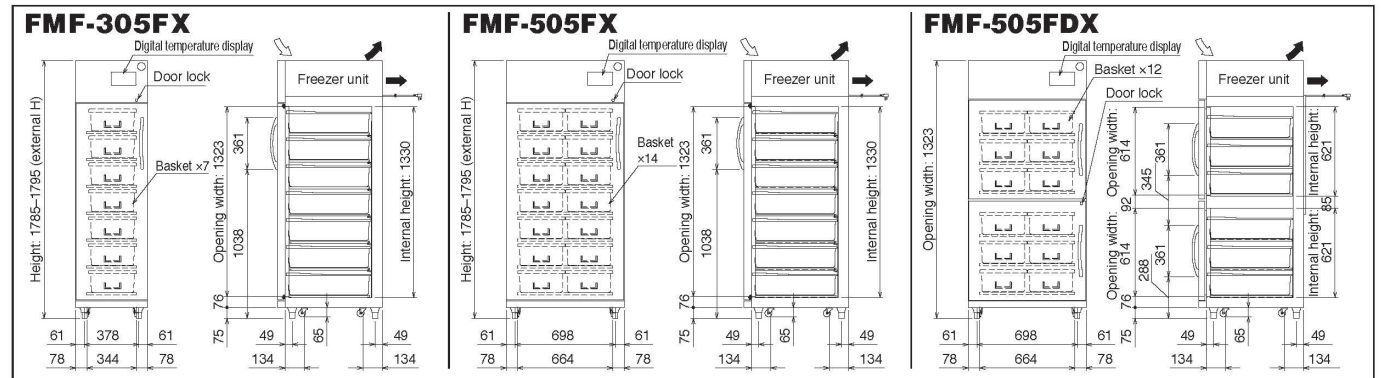
- Non-CFC refrigerant
- 3 models in total
- Temperature setting: -30°C to -20°C (1°C increments)

Personal

- 2 models in total
- Temperature setting: -40°C to -15°C (5°C increments)



Specifications					
Model No.	FMF-305FX	FMF-505FX	FMF-505FDX	FMF-038F1-C	FMF-038F1
External Dimensions (mm)	W500×D729(777)×H1,795	W820×D729(777)×H1,795	W820×D729(792)×H1,795	W480×D520×H770	W483×D513×H713
Internal Dimensions (mm)	W360×D605×H1,330	W680×D605×H1,330	W680×D605×H621 (Upper and lower compartments)	W340×D310×H345	W340×D345×H310
Effective Capacity(L)	300	548	516 (258×2 compartments)	37	38
Weight (kg)	102	134	153	45	
Materials	Exterior			Painted steel plate	
	Interior			Painted steel plate (color steel)	
	Door			Painted steel plate, magnetic type, 1 door (front/back)	
	Insulation			Rigid polyurethane foam, foamed-in-place	
Refrigeration System	Cooling Performance (No load, ambient temperature 30°C)			Microcomputer-controlled digital temperature display	
	Compressor output (W)			450	
	Refrigerant control			Capillary tube	
	Condenser			Microchannel forced-air cooling	
Operating Conditions	Evaporator			Pipe-on-sheet type	
	Refrigerant			R1234yf	
	Charge (g)			110	
	Defrosting System			Off-cycle defrost (manual defrost, manual reset)	
Accessories			7 shelves, 7 baskets, key, 1 scraper for defrost		
Accessories			7 shelves, 14 baskets, key, 1 scraper for defrost		
Accessories			6 shelves, 12 baskets, key, 1 scraper for defrost		
Accessories			1 perforated grid shelf, key		
Accessories			2 wire baskets, key		



- A precaution-for-use label is attached to each product.
- Specifications and appearances are subject to change without notice.
- The colors of products shown in this brochure may differ slightly from the actual products due to printing.
- All contents of this brochure are copyrighted by the manufacturer. Unauthorized reproduction is strictly prohibited.

Visualization of Freon
This product requires proper collection of fluorocarbons to help prevent global warming.

GALILEI
Be cool, Be alive.



Safety Precautions

- The products shown in this leaflet are for indoor use. Please use and store them in locations away from rain.
- Always carefully read the Instruction Manual before use to ensure proper operation.
- Installation, drainage, and electrical wiring are required. Please consult the dealer where the product was purchased or a qualified professional.

- Fukushima Galilei (Thailand) Co., Ltd.**
16 Asoke Court G Floor Room 2G, 1st Floor Room 1A, Sukhumvit 21 (Asoke) Rd., Klongtoey-Nua, Wattana, Bangkok 10110, Thailand Tel.66-02-258-3690
- Fukushima Galilei Singapore Pte. Ltd.**
1003 Bukit Merah Central #02-06 Singapore 159836, Singapore Tel.65-6271-0460
- Fukushima Galilei Vietnam Co., Ltd.**
Room 502, 5F, Zen Plaza building, 54-56 Nguyen Trai Street, Ben Thanh Ward, HCMC, Vietnam Tel.84-28-3933-3628
[Hanoi Branch]
8F TID Centre Building, 4 Lieu Giai St, Ngoc Ha Ward, Hanoi, Vietnam Tel.84-24-3755-6000
- Fukushima Galilei Malaysia Sdn. Bhd.**
Lot 6.01, 6th Floor Wisma Central, Box617 Jalan Ampang 50450 Kuala Lumpur, Malaysia Tel.60-3-2181-1034
- PT. Fukushima Galilei Indonesia**
Ruko Wisteria 1 Lt.2 Jl. Panglima Polim No. 7A, Melawai Kec. Kebayoran Baru, Jakarta Selatan 12160, Indonesia Tel.62-21-2709-5619

- Fukushima Galilei (H.K.) Co., Ltd.**
Unit 903, 9/F, Westlands Centre, 20 Westlands Road, Quarry Bay, Hong Kong Tel.852-2885-5679
- Fukushima Galilei Philippine Corporation**
Unit 919 One Park Drive Cor 11th Drive Cor 9th Ave BGC Fort Bonifacio Taguig 1634, Philippines Tel.63-02-8551-2292
- Fukushima Galilei Taiwan Co., Ltd.**
Rm. 5, 12F, No.112, Sec. 2, Zhongshan N. Rd., Zhongshan Dist., Taipei City 10449, Taiwan (R.O.C.) Tel.886-2-2521-9810
- Fukushima Galilei Cambodia Co., Ltd.**
Executive Room#2-E6, The iCON Professional Building, 216 Norodom Boulevard, Tonle Bassac, Chamkarmorn, Phnom Penh, Cambodia Tel.855-92-407957
- Fukushima Galilei Myanmar Co. Ltd.**
No.(262), 12th Street Ngwe Kyar Yan 3 Quarter South Okkalapa Township, Yangon, Myanmar email address: myanmar@galilei.co.jp
- Fukushima Galilei (Shanghai) Co., Ltd.**
Room B316, SIM Technology Building, No.633, Jinzhong Road, Changning District, Shanghai, China Tel.86-21-6248-1512

ISO 9001:2015
Acquisition of certification
Okayama Factory, Shiga Factory, Kansai Engineering Dept, SB Division, Tokyo Engineering Dept, Tokyo Installation Works Dept, Chubu Engineering Dept, Nishi-Nihon Engineering Dept, Head Office, Tokyo, Kansai service center, Nagoya, Fukuoka, Shiga Factory, Okayama Factory, Kanto service center

Address inquiries and orders for products made by FUKUSHIMA GALILEI CO. LTD. to:

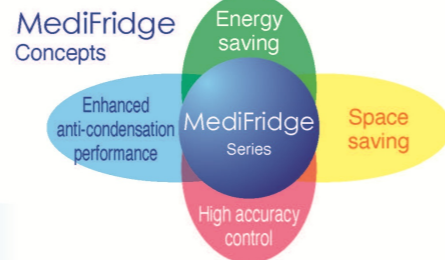
The contents of this catalog are valid as of October 2025. (2510-00)G

Pamphlet No. MDP-179

Medical Freezers

medical institutions biotechnology
chemicals testing and analysis centers
pharmaceuticals food industry and more.

Featuring a wall-surface cooling system that ensures a stable internal temperature environment, these freezers are ideal for sample storage and quality control. They are designed for a wide range of applications, supporting various research, development, and analytical testing needs.



MediFridge

Our flagship model for pharmaceutical refrigerators and freezers, revolutionizing conventional standards for the refrigerated and frozen storage of reagents and pharmaceuticals.

Temperature setting: **-30°C to -20°C**
(1°C increments)



- Equipped with eco-friendly refrigerant R1234yf (Non-CFC, GWP:1)
- Leakage circuit breaker as standard for enhanced safety
- Easy relocation with 4 swivel casters
- Auto-closing doors with eccentric shaft mechanism
- Equipped with a door sensor for secure operation
- Optional seismic legs available for anti-tip safety

Model No.	Effective capacity	External Dimensions* (Figures in parentheses indicate maximum dimensions including protrusions)	Internal Dimensions	Basket	Weight	Refrigerant
FMF-305FX	300L	W500xD729(777)xD1,795mm	W360xD605xH1,330mm	7 pcs.	102kg	Non-CFC (R1234yf)
FMF-505FX	548L	W820xD729(777)xD1,795mm	W680xD605xH1,330mm	14 pcs.	134kg	Non-CFC (R1234yf)
FMF-505FDX	516L	W820xD729(792)xD1,795mm	W680xD605xH621mm(both upper and lower compartments)	12 pcs.	153kg	Non-CFC (R1234yf)

Personal

A compact type that can be placed either on or under a laboratory bench.

Temperature setting: **-40°C to -15°C**
(5°C increments)



- Wide temperature setting range from -40°C to -15°C in 5°C increments
- With an optional thermo recorder installed, it is also suitable for storing small quantities of frozen plasma

Model No.	Effective capacity	External Dimensions	Internal Dimensions	Basket	Weight
FMF-038F1-C	37L	W480xD520xH770mm	W340xD310xH345mm	None	45kg
FMF-038F1	38L	W483xD513xH717mm	W340xD345xH310mm	2 pcs.	45kg



Adoption of Non-CFC refrigerant R1234yf

*Applicable only to FMF-305FX, 505FX, and 505FDX

Compared to the conventional substitute refrigerant R404A (GWP: 3920), R1234yf (GWP: 1) significantly reduces the impact on global warming.

Point.1 Environmentally conscious
Compared to HFCs used in conventional products, the new refrigerant significantly reduces the impact on global warming.

Point.2 Mildly flammable and safe
Compared to similar non-CFC "highly flammable refrigerants," the refrigerant has a lower risk of fire hazard and can be handled safely.

Point.3 Easy to manage
On-site repair and inspection are possible. Unlike fluorocarbon-based equipment, no mandatory inspections are required, and it is not subject to the Act on Rational Use and Proper Management of Fluorocarbons.

Features

Aiming for zero global warming impact from refrigerant leakage!

For all models and products with built-in compressors.

*Some models excluded

Common Specifications

Applicable to both MediFridge and Personal series

Control Panel	Key Lock
<ul style="list-style-type: none"> FMF-305FX-505FX-505FDX High-visibility MediFridge control panel 	<ul style="list-style-type: none"> FMF-038F1-C-038F1 Temperature setting range: -40°C to -15°C (5°C increments) Equipped with an alarm function (notification by display and buzzer)
<ul style="list-style-type: none"> With locking device for secure management. 	

Exclusive Specifications

Applicable to MediFridge series (FMF-305FX, 505FX, 505FDX)

Door Sensor	Casters	Standard Baskets
<ul style="list-style-type: none"> Standard-equipped door sensor prevents accidental door from being left open. 	<ul style="list-style-type: none"> Easy installation and relocation with 4 swivel casters. 	<ul style="list-style-type: none"> Supplied with baskets of the same size. Each basket can hold 10 microplates x 12 sets. (With 14 baskets, up to 1,680 microplates in total) *FMF-305FX : 7 baskets *B8-size card holder included *FMF-505FX : 14 baskets *Adjustable shelves *FMF-505FDX : 12 baskets

Options

Data Logger	Thermo Recorder	Latch-handle Door
<ul style="list-style-type: none"> Temperature data logger *Probe and USB cable required separately *Installation cost required separately 	<ul style="list-style-type: none"> Records temperature history of operation and cooling conditions. Comes with recording paper for one year. *Mounting brackets required separately 	<ul style="list-style-type: none"> *Available only for MediFridge series *Can only be installed at the time of shipment

	FMF-305FX	FMF-505FX	FMF-505FDX	FMF-038F1-C	FMF-038F1
Thermo Recorder (with recording paper for 1 year) *1	○	○	○	○	○
Thermo Recorder Mounting Bracket A	○	○	○ (2 required)	×	×
Thermo Recorder Mounting Bracket B	×	×	×	○	○
External Alarm Output	○	○	○	○	○
Shelf (with 4 shelf supports)	○	○	○	×	×
Seismic Fixing Brackets for Legs (set of 2)	○	○	○	×	×
Latch-handle Door	○	○	○	×	×
Right-hinged Door	○	○	○	×	○
Measuring Port *2	○	○	○	×	×
Color Variations	○	○	○	×	×
Power Failure Alarm Buzzer Kit *	○	○	○	×	×
Temperature Data Logger testo176T2	○	○	○	○	○
Probe (Model: 0572 7001)	○	○	○	○	○
USB Cable	○	○	○	○	○

*1 Installation cost required separately. For FMF-038F1 and FMF-038F1-C, available only at the time of shipment (on-site installation not possible).

*2 Measuring port is located on the back panel.

○ Available × Not available